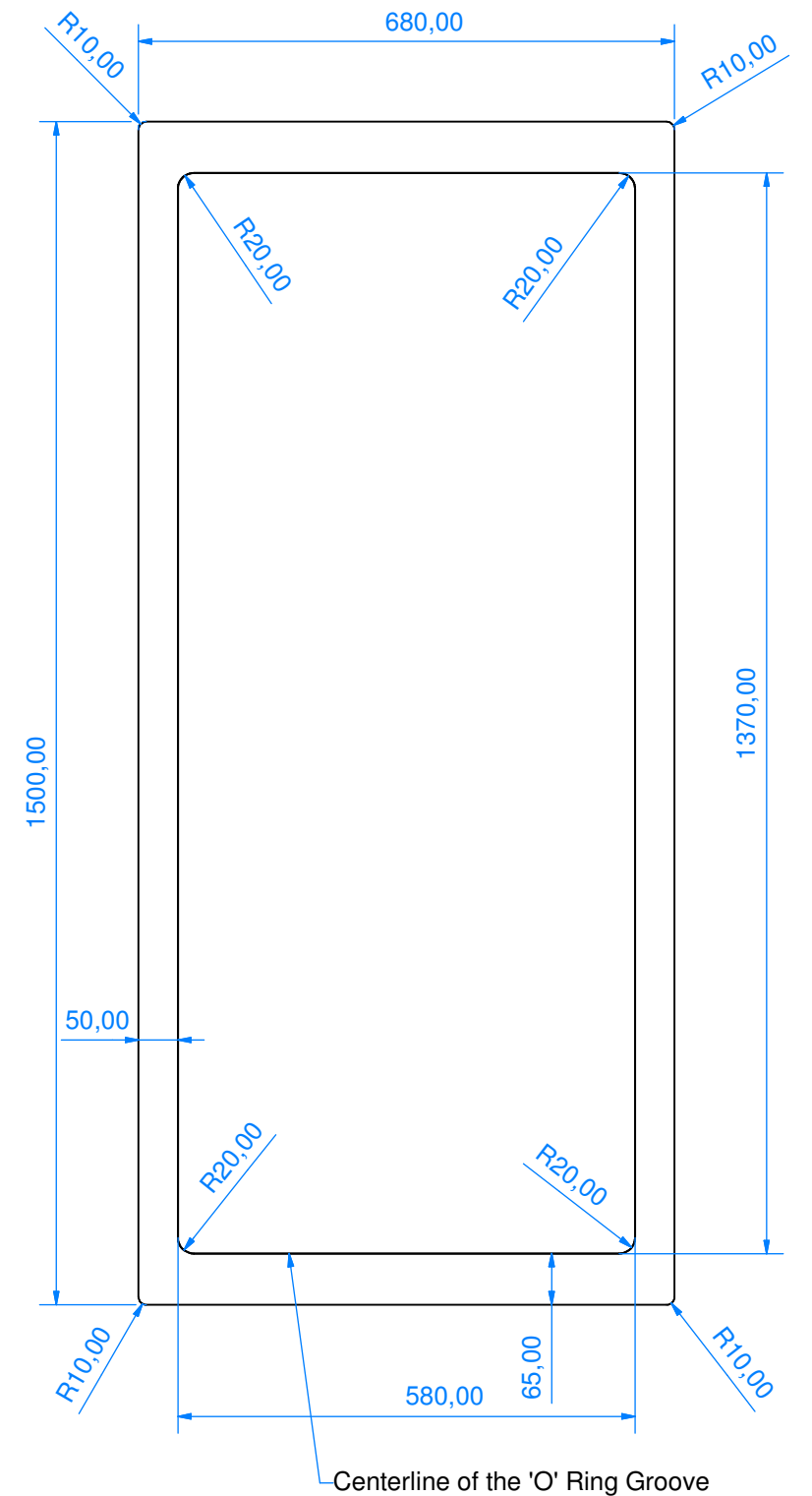
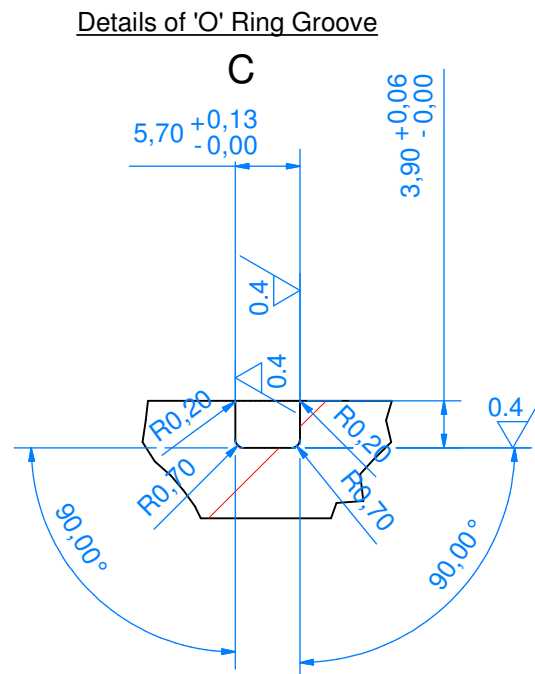
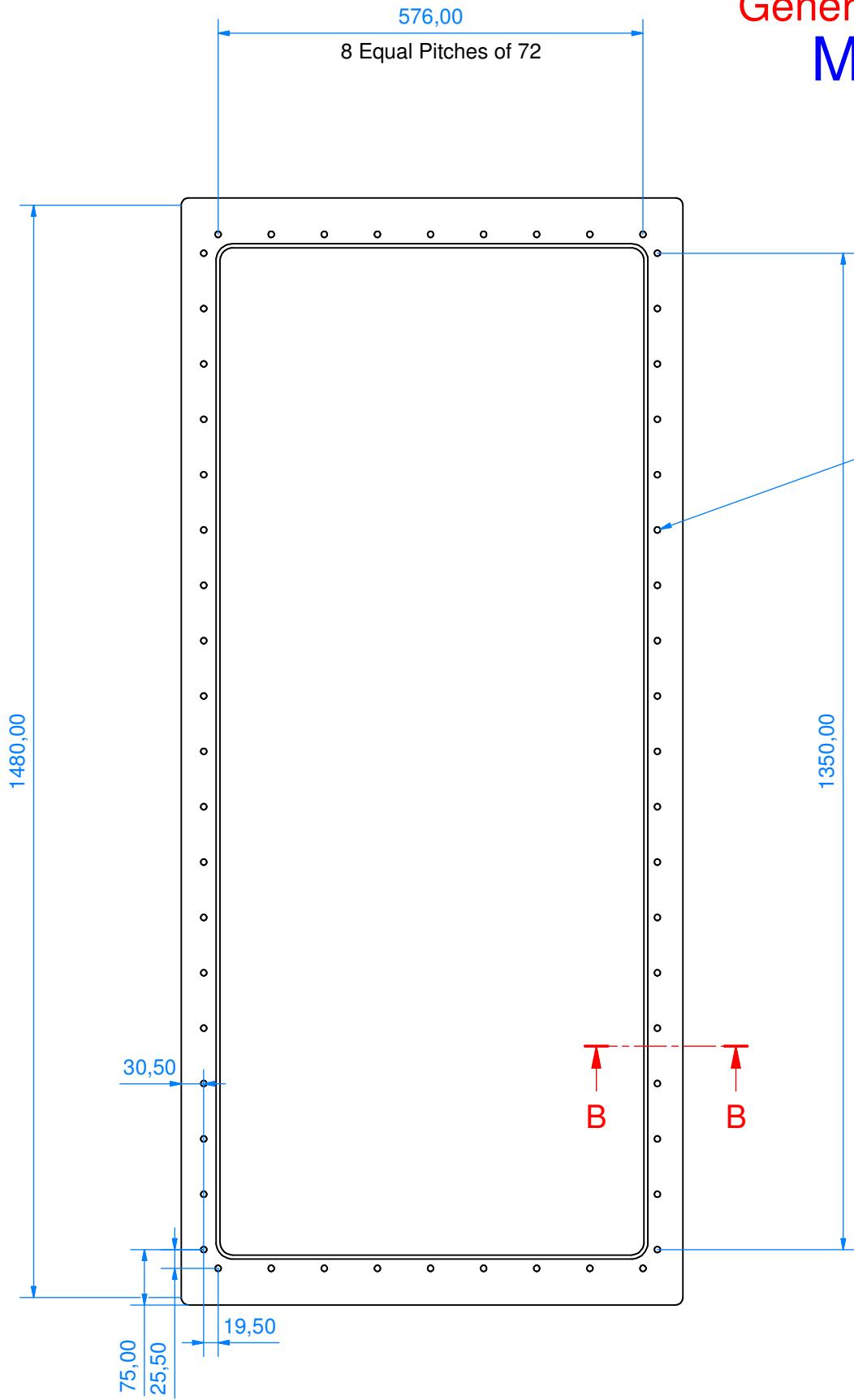


Dimensions of Hole Positions

General Tolerance for ALL Linear Dimensions ± 0.1 mm
Material - Aluminium 10mm thick



Dimensions of Blanking Plate and the 'O' Ring Groove centerline

UNIVERSITY OF OXFORD DEPARTMENT OF PHYSICS KEBLE ROAD, OXFORD, OX1 3RH TEL. +44 (0)1865 273333 FAX. +44 (0)1865 273475		SCALE	DRAWN BY Rohan Senanayake	TITLE Blanking Plate for the Quartz Window Opening
		DATE 20.06.05	CHECKED	
REVISIONS	DATE	CHANGE	GENERAL TOLERANCES UNLESS STATED	MATERIAL
	A		LINEAR ± 0.1 MM	COMPONENT WEIGHT
	B		ANGULAR $\pm 0.5^\circ$	FINISH
	C			PROJECT/ORIGINATOR
D				LHCb RICH1
DRAWN ACCORDING TO BS308		PROJECTION	SIZE	DRAWING NUMBER
ALL DIMENSIONS ARE IN MM UNLESS OTHERWISE STATED			A2	LHCb-GE-0015-03
THIS DRAWING MAY NOT BE USED FOR COMMERCIAL USE				