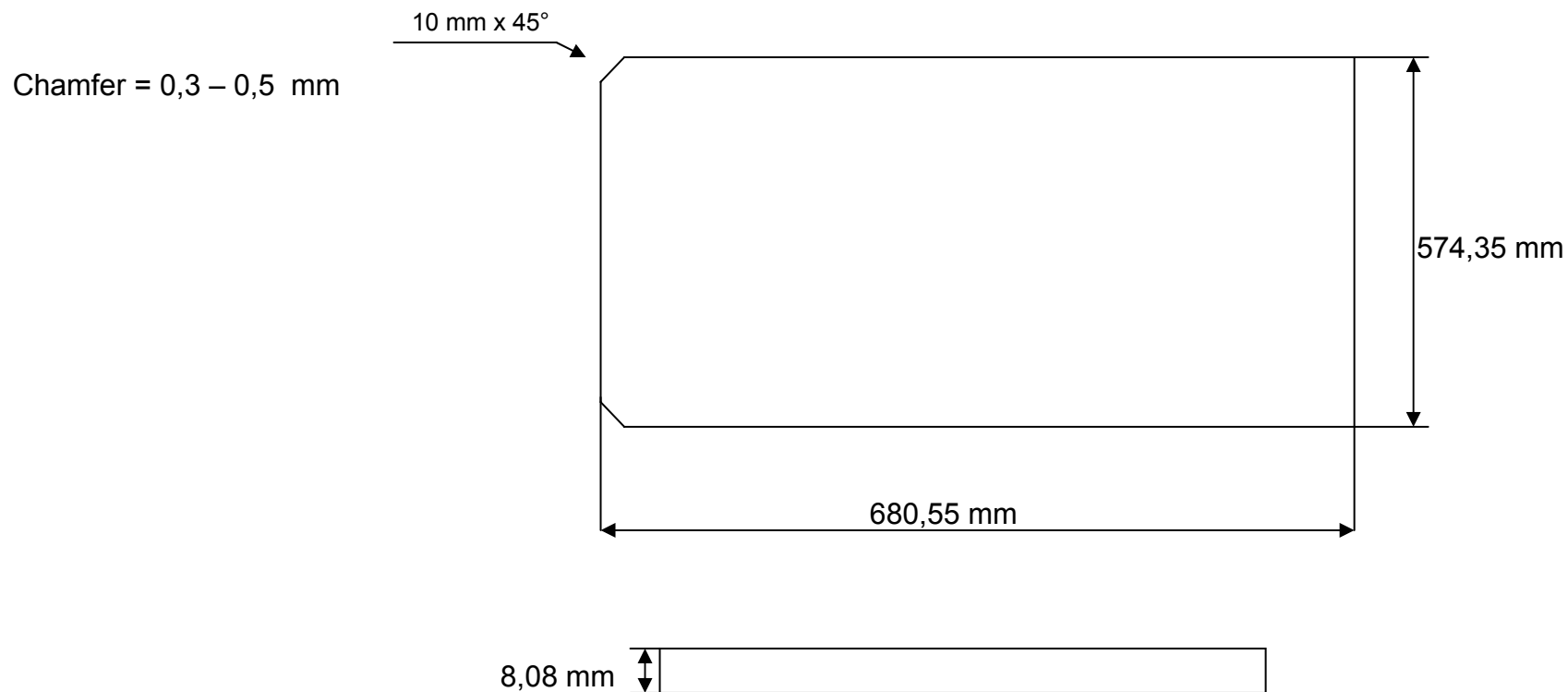
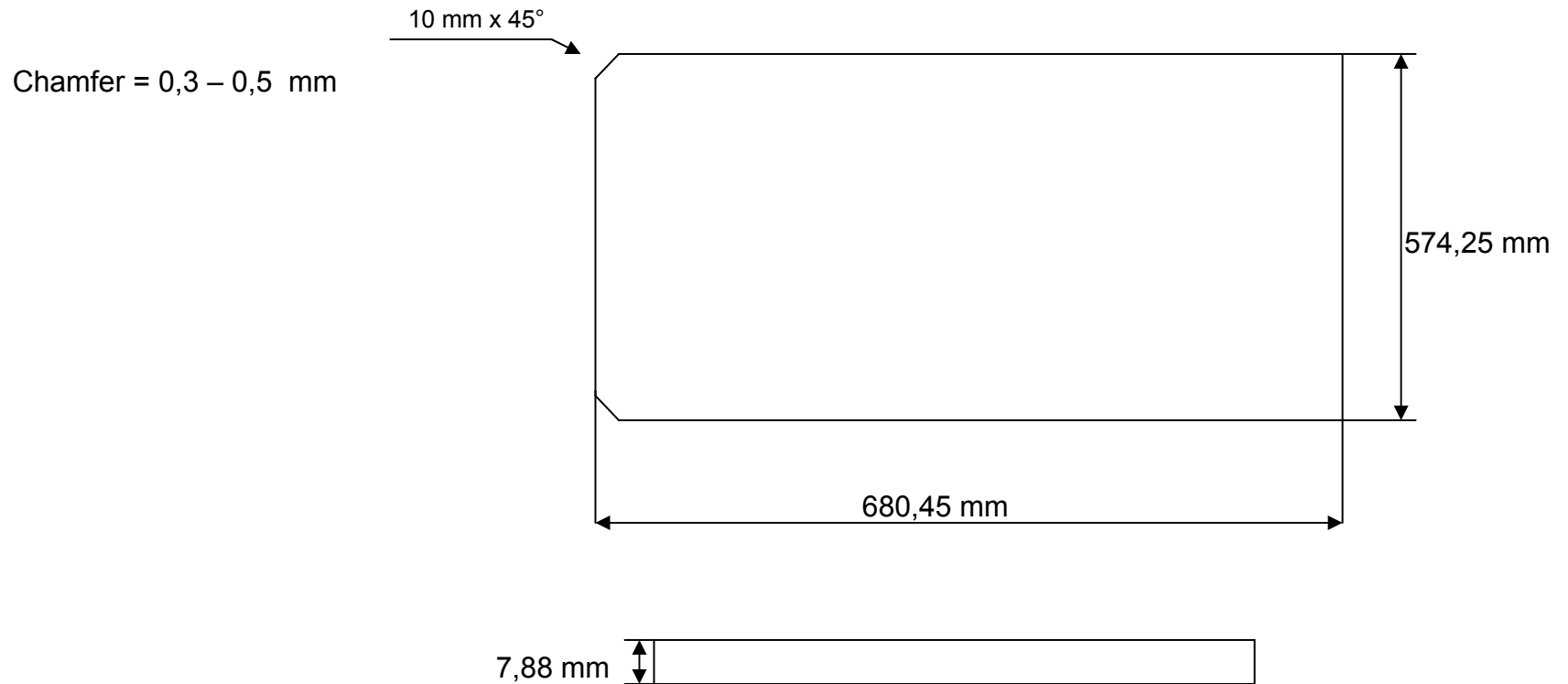


RICH1 Quartz Plate No. 1



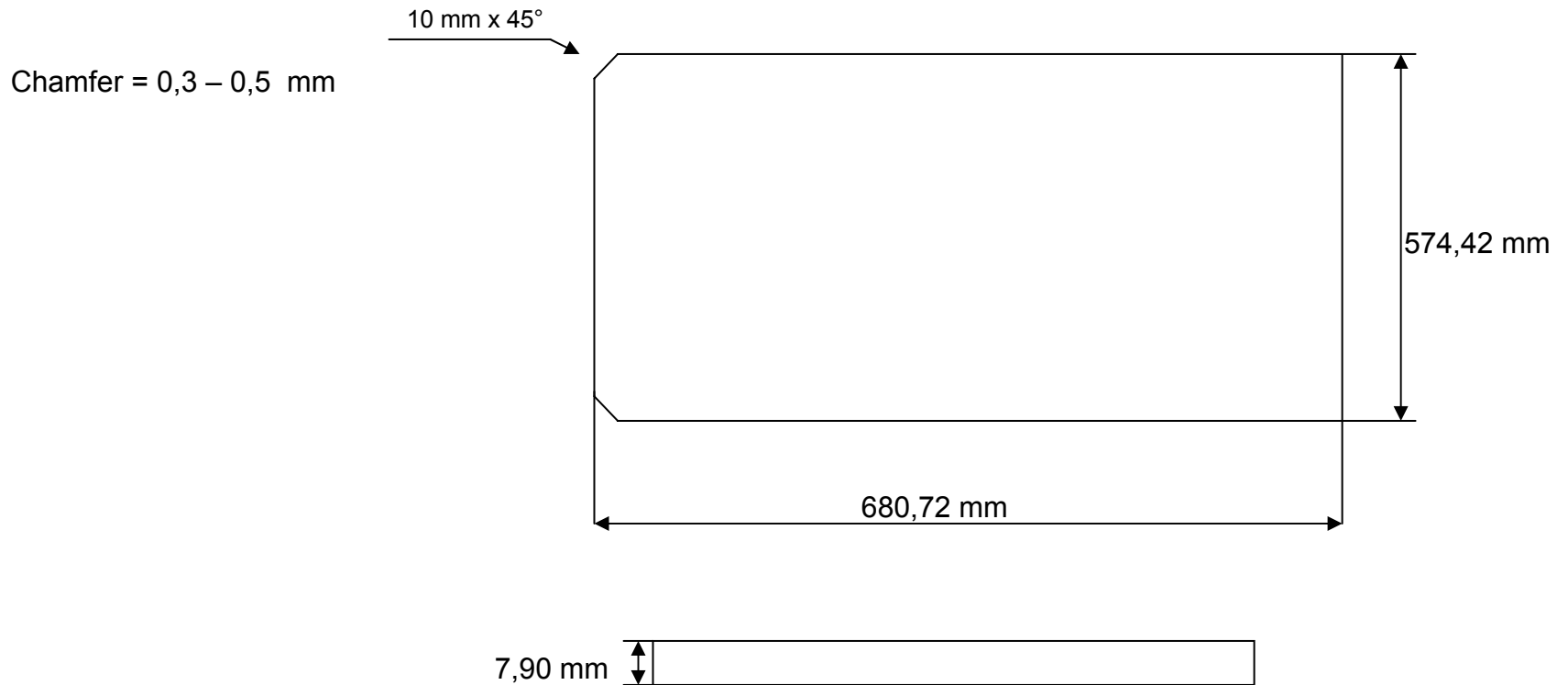
Measurements made by Heraeus 18.9.2006

RICH1 Quartz Plate No. 2



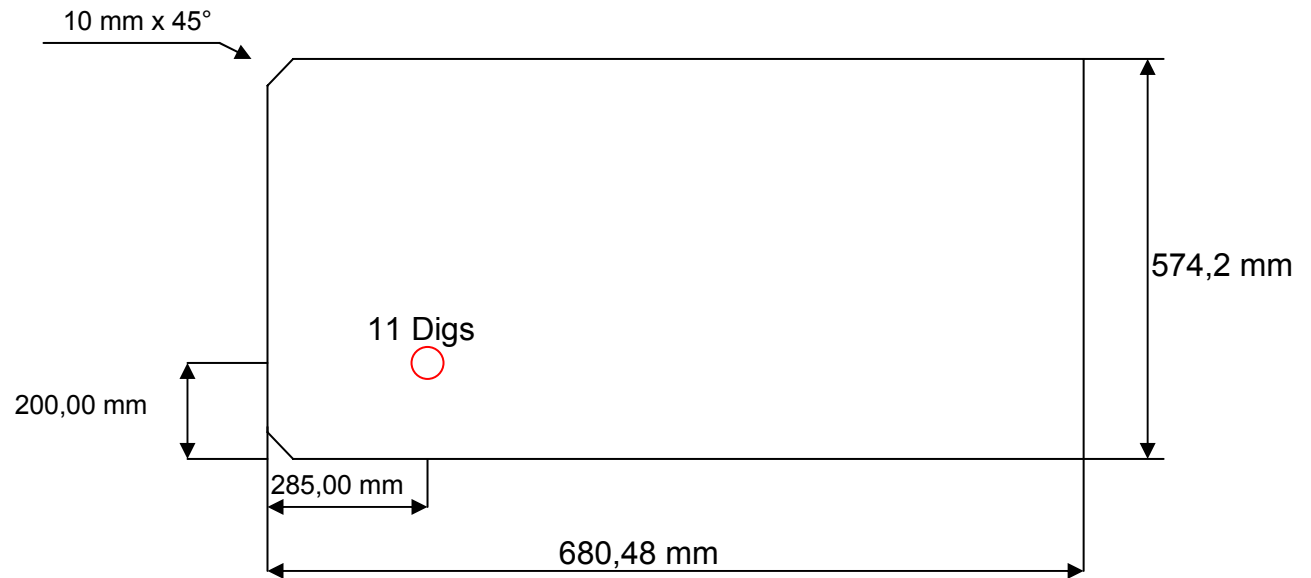
Measurements made by Heraeus 18.9.2006

RICH1 Quartz Plate No. 3



Measurements made by Heraeus 18.9.2006

RICH1 Quartz Plate No. 4



Chamfer = 0,3 – 0,6 mm

Birefringence: Free

Fluorescence: Free

Striae: Free



Measurements made by Heraeus 18.9.2006

Quality inspection plate No. 4

	Specification Dig (1/100) ?	40		z.B.: 60 - 40
	Conversion into mm	0,4mm		
	Single digs with max. length within an inspection area of Ø20mm.	[mm]		
	D1	0,1		0,4
	D2	0,08		
	D3	0,1		
	D4	0,1		
	D5	0,05		
	D6	0,05		
	D7	0,4		
	D8	0,03		
	D9	0,03		
	D10	0,03		
	D11	0,1		
	D12			
	D13			
	D14			
	Sum Digs =	1,07		
		actual value		limit value
		1,07	<=	0,8
	Entscheidung	Ausfall		

Measurements made by Heraeus 18.9.2006