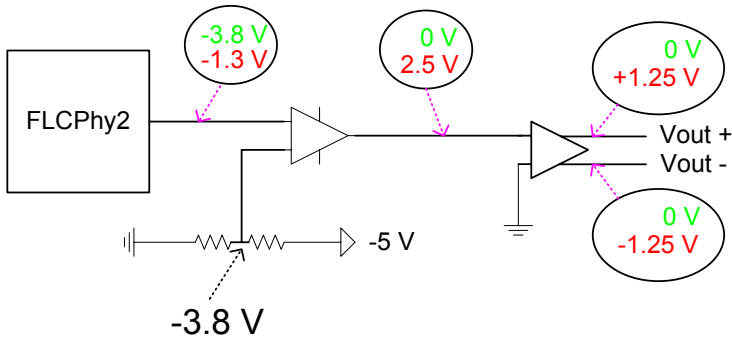


### With BaseLine @ 0V

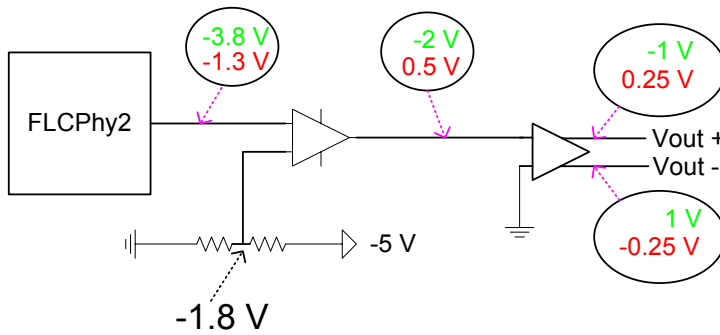
In green : without signal  
In red : with max output



$$(V_{out+}) - (V_{out-}) = 0 \text{ V}$$
$$(V_{out+}) - (V_{out-}) = 2.5 \text{ V}$$

### With BaseLine @ -2V

In green : without signal  
In red : with max output



$$(V_{out+}) - (V_{out-}) = -2 \text{ V}$$
$$(V_{out+}) - (V_{out-}) = 0.5 \text{ V}$$