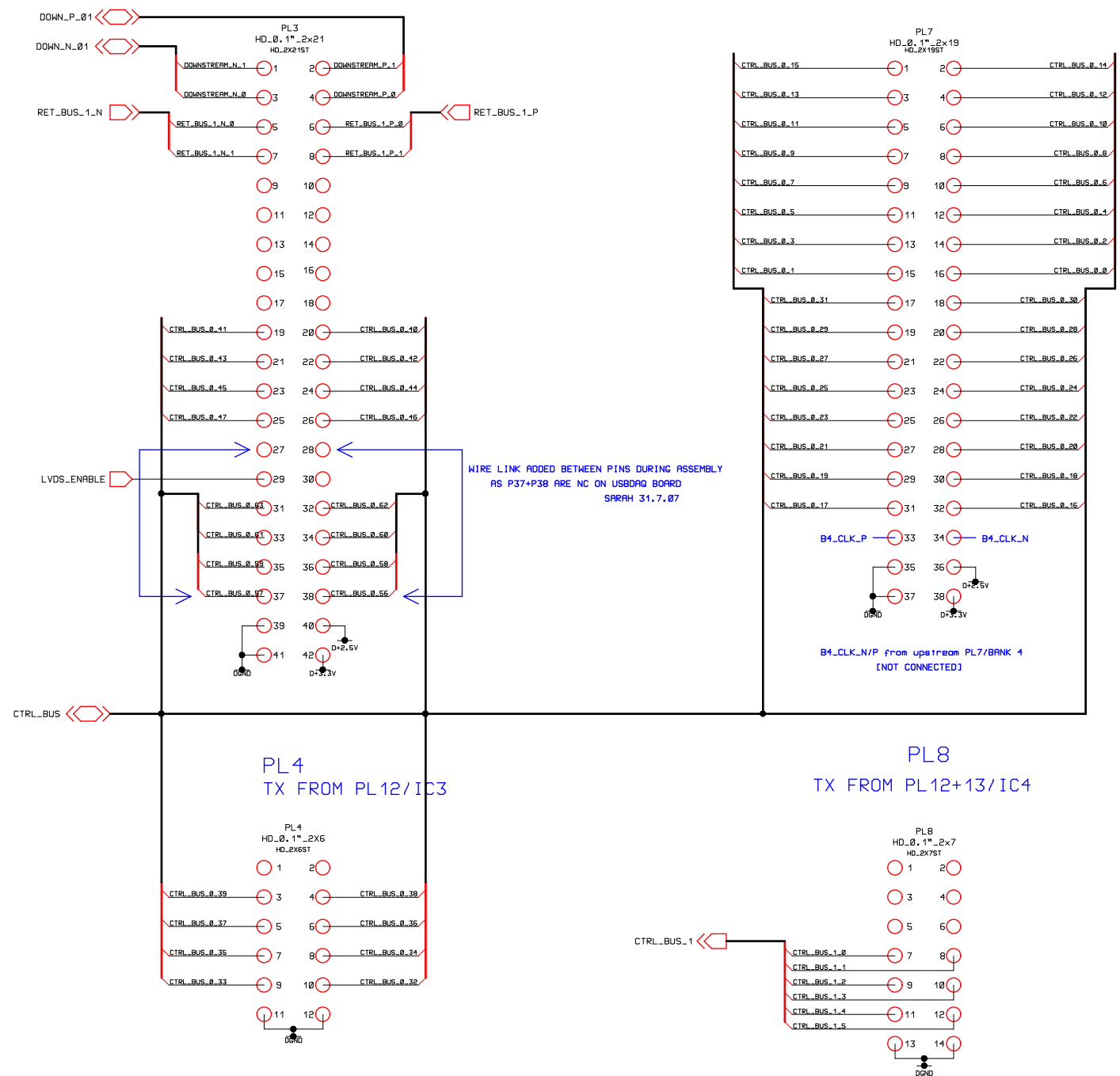


# UPSTREAM

BANK 1\_PL3  
RX FROM PL13  
TX FROM PL12/IC3

BANK 4\_PL7  
\* pin1 -TX FROM PL13/IC1  
TX FROM PL12/IC2  
TX FROM PL12+13/IC4



D+3.3V D+3.3V  
 D+2.5V D+2.5V  
 D-2.3V D-2.3V  
 DGND DGND

HEP, Imperial College, London		
Title: USBDAQ/CALICE	Engineer:	
Subtitle: UPSTREAM BANK_14	Drawn by:	Ver: v12b4.rxl
Sheet: 1 of 1	Date: 3.7.07	