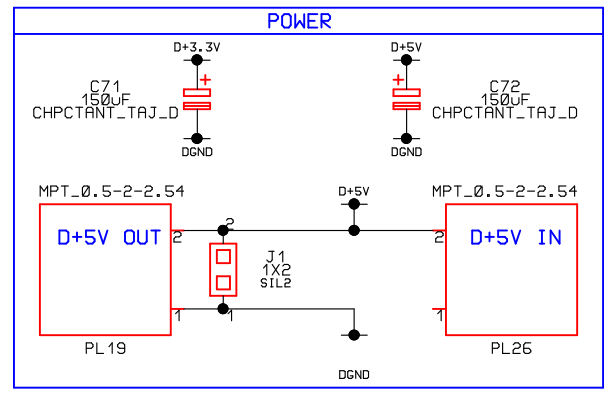
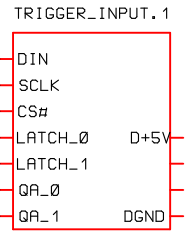
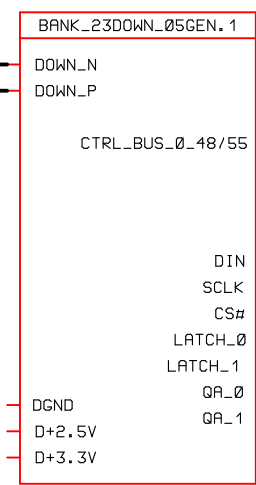
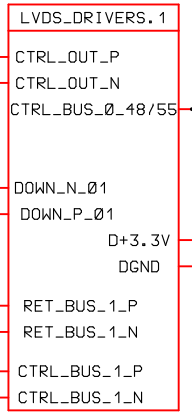


SENSOR_CONNECTOR_TOP



n- EVEN, p+ODD

D+5V

D+3.3V

DGND

HEP, Imperial College, London	
Title: USBDQA/CALICE	Engineer:
Subtitle: TOP	Drawn by:
	Ver: v12b4.rxl
Sheet: of:	Date: 3.7.07

- VME_FP_MOUNT
- SC1 PFFIX
- VME_FP_MOUNT
- SC2 PFFIX
- VME_FP_MOUNT
- SC3 PFFIX
- VME_FP_MOUNT
- SC4 PFFIX